



Bobcat®

444

Compact Excavators



444

Weights

Operating weight with ROPS cab	12500 kg
Additional weight for 500 mm steel tracks	310 kg
Additional weight for 800 mm steel tracks	910 kg
Additional weight for long dipperstick	70 kg
Additional weight for articulated boom	300 kg

Engine

Make / model	Deutz / TCD 2012 turbo
Fuel / Cooling	Diesel / Water
Maximum power at 2100 RPM (ISO 9249)	70.0 kW
Maximum torque at 1600 RPM (SAE Net)	358 Nm
Number of cylinders	4
Displacement	4.0 l
Bore / Stroke	94 mm / 115 mm
Alternator	12 V — 55 A — open frame with internal regulator
Starter	12 V — gear reduction type — 3.1 kW

Controls

Steering	Direction and speed controlled by two pilot-operated hand levers or foot pedals
----------	---

Hydraulic System

Pump type	One engine-driven piston pump and two engine-driven gear pumps
Piston pump capacity	158 l/min
Gear pump capacity	41.4 + 36.0 l/min
Auxiliary flow	100 l/min
Control valve	Nine-spool

Performance

Digging force, dipperstick	61000 N
Digging force, bucket	81500 N
Drawbar pull	82000 N
Ground pressure with rubber tracks	43.0 kPa
Travel speed, low range	2.7 km/h
Travel speed, high range	5.4 km/h
(K) Maximum digging depth	4330 mm

Slew System

Boom swing, left	65°
Boom swing, right	56°
Slew circle	Single row shear-type ball bearings with internal gear
Slew drive	Axial piston motor with spring applied disk brake
Slew rate	9.0 RPM

Traction

Track width	500 mm
Number of track rollers per side	1 top, 7 bottom
Gradeability	>60°

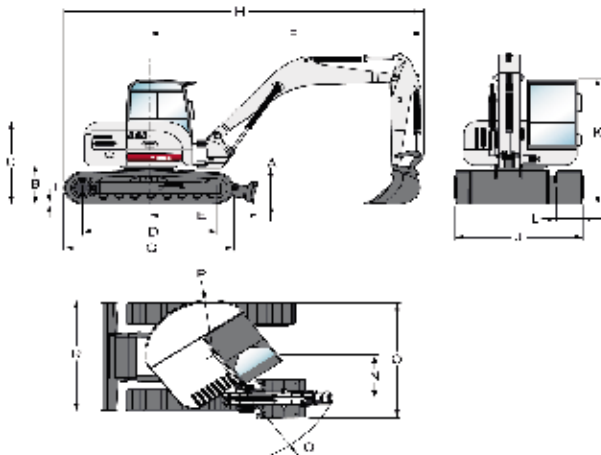
Brakes

Travel brake	Spring applied, hydraulically released, multi-disk brake
Slew brake	Spring applied, hydraulically released, multi-disk brake

Fluid Capacities

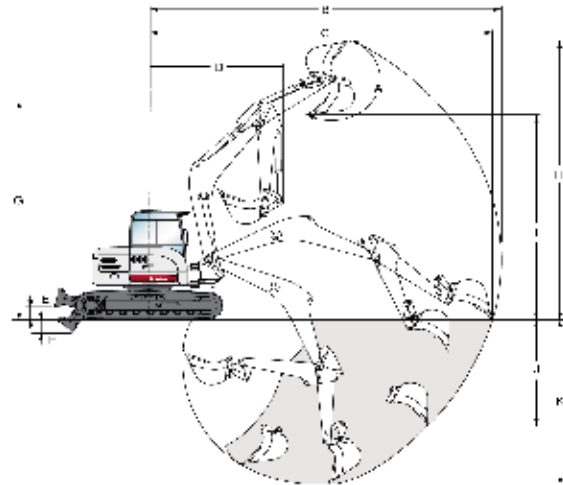
Cooling system	12.0 l
Engine lubrication plus oil filter	10.0 l
Fuel reservoir	190.0 l
Hydraulic reservoir	140.0 l
Hydraulic system with bucket and dipper cylinder retracted, bucket on the ground, and blade down	140.0 l

Dimensions

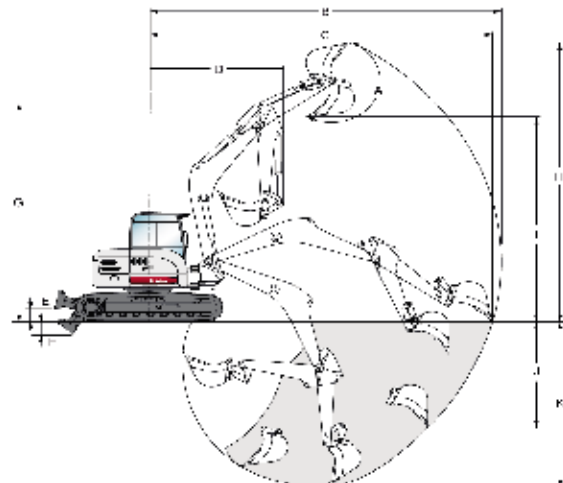


Working Range

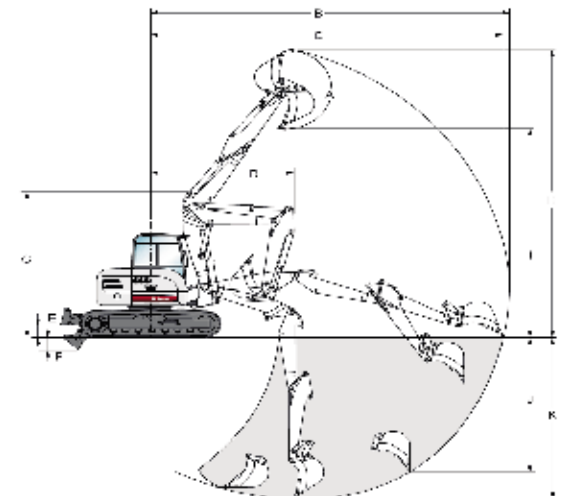
Standard boom and dipperstick



Standard boom and long dipperstick



Articulated boom and standard dipperstick



Specifications and design are subject to change without notice - Pictures of Bobcat units may show other than standard equipment.



www.bobcat.eu