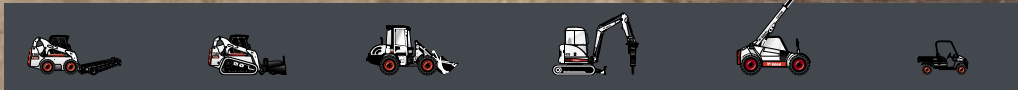




**Bobcat**<sup>®</sup>

**E80**

Compact Excavators



## Standard Features

2300 mm dozer blade	Consoles with forwards/backwards adjustable displacement
450 mm steel track	Boom load holding valve
Engine/hydraulic monitor with shutdown	Harness for rotating beacon
Fingertip auxiliary hydraulic controls	Fully adjustable air conditioning
Control console locks	Overload warning device
Hydraulic joystick controls	Sun visor
Two-speed travel	Left rear view mirror
Storage compartment	Electric refueling pump
Horn	Auto idle
Three work lights	Second auxiliary hydraulic line (Rotation piping)
Seat belt	Warranty: 12 months, 2000 hours
Adjustable suspension seat with high back and lumbar support	

## Weights

Operating weight with canopy	— kg
Operating weight with cab	8380 kg
Additional weight for long dipperstick	58 kg
Reduction for rubber tracks	50 kg

## Engine

Make / model	Yanmar / 4TNV98-ZWDB8
Fuel / Cooling	Diesel / Liquid
Bore / Stroke	98 mm / 110 mm
Maximum power at 2000 RPM (DIN 6271)	40.4 kW
Maximum torque at 1300 RPM	227–248 Nm
Number of cylinders	4
Displacement	3.3 l

## Performance

Digging force, standard dipperstick	40900 N
<b>Digging force, long dipperstick</b>	<b>34100 N</b>
Digging force, bucket	54600 N
Drawbar pull	— N
Travel speed, low range	2.9 km/h
Travel speed, high range	4.6 km/h
Maximum digging depth, standard dipperstick	4150 mm
Maximum digging depth, long dipperstick	4675 mm

## Hydraulic System

Pump type	One engine-driven tandem axial piston pump and one engine-driven gear pump
Piston pump capacity	144 l/min
Gear pump capacity	22 l/min
Auxiliary flow	120 l/min
System relief pressure for implement and travel circuits	280 Bar

## Fluid Capacities

Cooling system	4.2 l
Engine lubrication plus oil filter	11.6 l
Fuel reservoir	110.0 l
Hydraulic reservoir	87.0 l
Hydraulic system with bucket and dipper cylinder retracted, bucket on the ground, and blade down	127 l

## Controls

Steering	Direction and speed controlled by two hand levers or two foot pedals.
Auxiliary hydraulics	Electronic switch on the right hand joystick and foot pedal on the right side.
Second auxiliary hydraulics	Two electronic switches on the left hand joystick

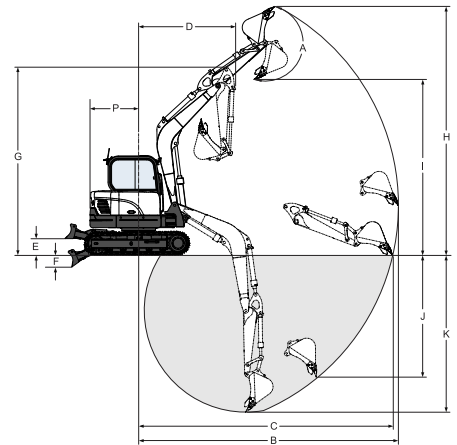
## Slew System

Boom swing, left	70°
Boom swing, right	55°
Slew rate	9.6 RPM

## Traction

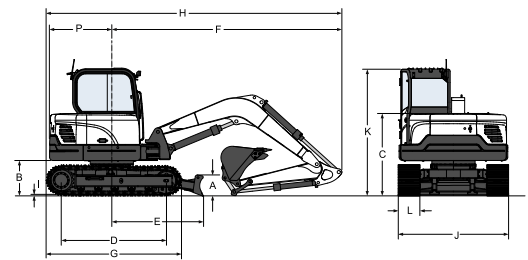
Track width	450 mm
Gradeability	25°

## Working Range



(A)	—°	(E)	— mm	(I)	5085 mm
(B)	7480 mm	(F)	— mm	(J)	4720 mm
(C)	6965 mm	(G)	— mm	(K)	3730 mm
(D)	7295 mm	(H)	— mm	(L)	3220 mm
		(I)	7070 mm	(M)	4675 mm
		(J)	6715 mm	(N)	4150 mm
		(K)	2500 mm		

## Dimensions



(A)	440 mm	(G)	2823 mm	(M)	— mm
(B)	737 mm	(H)	— mm	(N)	— mm
(C)	1715 mm	(I)	6167 mm	(O)	2700 mm
(D)	2200 mm	(J)	— mm	(P)	2500 mm
(E)	1912 mm	(K)	2300 mm	(Q)	1298 mm
(F)	— mm	(L)	2638 mm		— mm
			450 mm		

## Options

Rubber tracks	Long arm
Third auxiliary hydraulic line (Clamshell piping)	

## Attachments

Auger	Hydraulic breaker
Digging bucket	Hydraulic clamp
Ditching bucket	Tilttable bucket



www.bobcat.eu