



**Bobcat**®

**S100**

Compact Loaders



## Machine Rating

|                                 |           |
|---------------------------------|-----------|
| Rated operating capacity        | 457 kg    |
| Tipping load                    | 915 kg    |
| Pump capacity                   | 50 l/min  |
| System relief at quick couplers | 207 bar   |
| Max. travel speed               | 10.4 km/h |

## Engine

|                                       |                        |
|---------------------------------------|------------------------|
| Make / Model                          | Kubota / V1505-E2B-BCZ |
| Fuel / Cooling                        | Diesel / Liquid        |
| Maximum power at 3000 RPM (SAE J1349) | 25 kW                  |
| Torque at 1700 RPM (SAE J1349)        | 93 Nm                  |
| Number of cylinders                   | 4                      |
| Displacement                          | 1498 cm <sup>3</sup>   |
| Fuel tank capacity                    | 45 l                   |

## Weights

|   |         |
|---|---------|
| Operating weight (with std tyres, 48 inch bucket) | 1800 kg |
| Operating weight (with hd tyres, 50 inch bucket)  | 1818 kg |

## Controls

|                                 |   |
|---------------------------------|---|
| Vehicle steering                | Direction and speed controlled by two hand levers |
| Loader hydraulics tilt and lift | Separate foot pedals                              |
| Front auxiliary (standard)      | Lateral movement of right-hand steering lever     |

## Drive System

|              |   |
|--------------|---|
| Transmission | Infinitely variable tandem hydrostatic piston pumps, driving two fully reversing hydrostatic motors |
|--------------|---|

## Standard Features

|  |  |
|--|--|
| Automatically activated glow plugs     | Parking brake                                |
| High-back cushion suspension seat      | Seat belt                                    |
| Bob-Tach™ frame                        | Seat bar                                     |
| Engine / Hydraulic system shutdown     | Spark arrestor muffler                       |
| Bobcat Interlock Control System (BICS) | 27 x 8.50-15, 6-ply, Bobcat heavy duty tyres |
| Operating lights, front and rear       | CE certification                             |

## Instrumentation

## Lift arm support

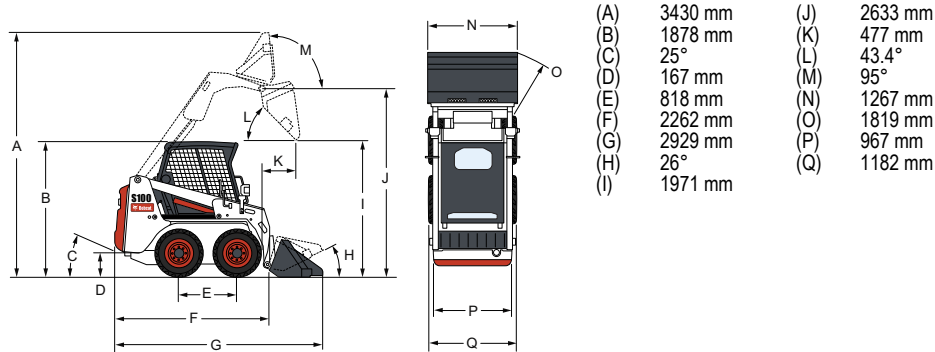
Deluxe operator cab Includes interior cab foam, side, top and rear windows

\* Roll Over Protective Structure (ROPS) – meets requirements of SAE-J1040 and ISO 3471; Falling Object Protective Structure (FOPS) - meets requirements of SAE-J1043 and ISO 3449, Level I

## Options

|                     |  |
|---------------------|--|
| Heated enclosed cab | Hydraulic bucket positioning (including ON/OFF switch) |
| Power Bob-Tach™     | Counterweights   |

## Dimensions



## Attachments

- Angle blade (snow blade)
- Angle broom\*†
- Auger
- Buckets (GP 50" and 56")
- Cutter crusher\*
- Digger
- Dumping hopper
- Front scarifier
- Grapples and forks
- Hydraulic breaker\*\*
- Landplane
- Loader X-Change™ frame (for breaker)
- Pallet forks
- Scraper
- Snow blower\*
- Soil conditioner\*
- Sweeper
- Three-point hitch
- Tiller
- Tilt-Tach
- Trencher

\*Attachment control kit required.

\*\*When operating the loader with this attachment, a Special Applications Kit, which includes a 12 mm Lexan front door with 6 mm top and rear windows, must be used.

†Optional water kit.



[www.bobcat.eu](http://www.bobcat.eu)