



# Bobcat®

## T2250

Telescopic Handlers



## Performance

Lifting height (Bob-Tach™)	5230 mm
Lifting height (Quick-Tach)	5210 mm
Rated capacity	2200 kg
Capacity at max. height	2200 kg
Capacity at max. reach (Bob-Tach™)	1000 kg
Capacity at max. reach (Quick-Tach)	950 kg
Max. reach (Bob-Tach™)	3010 mm
Max. reach (Quick-Tach)	3030 mm
Crowding force	2100 daN

## Weights

Weight (unladen)	4695 kg
------------------	---------

## Traction

Standard tyres	14x17.5
Low speed (forward/reverse)	0–7 km/h
High speed (forward/reverse)	0–25 km/h
Driving modes	Direct drive / soft drive

## Drive System

Transmission	Hydrostatic with electronic regulation
Main drive	2-speed hydrostatic motor
Filtration	Remote filter with replaceable cartridge

## Engine

Make / Model	KUBOTA / V3800-DI Turbo
Fuel / Cooling	Diesel / Water-cooled
Rated power (DIN 6271) at 2400 RPM	55.9 kW (75 HP)
Maximum torque at 1600 RPM	274 Nm
Number of cylinders	4
Displacement	3.8 l

## Hydraulic System

Pump type	Gear pump with LS valve
Combined pump capacity	85 l/min
Working pressure	240 bar

## Cycle Times

Lift time - no load	4.7 s
Lower time - no load	6.5 s
Telescope in time at max. reach - no load	4.2 s
Telescope in time at max. height - no load	4.2 s
Telescope out time at max. reach - no load	5.7 s
Telescope out time at max. height - no load	5.8 s

## Brakes

Engine braking	Hydrostatic
Parking and emergency brake	Negative brake with hydraulic command

## Fluid Capacities

Axles and reduction gears front/rear	8.9 / 5.6 l
Engine oil	12 l
Fuel tank	91 l
Hydraulic reservoir (hydraulic / overall)	29 / 44 l

## Standard Features

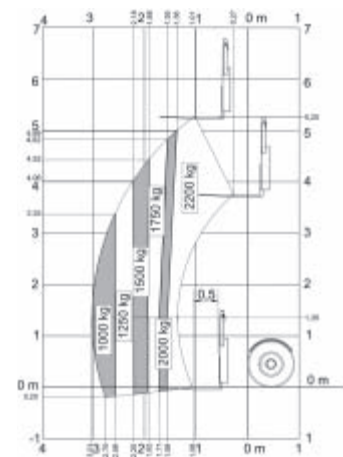
- Hydrostatic transmission
- ROPS/FOPS operator cab
- Heating, demisting and ventilation
- Front and rear washer/wipers
- Seat with self retracting seat belt
- Narrow hook-up for mounting of the equipment
- Mechanical lock of the equipment
- Aggravating Movements Arrester (AMA)
- Front and rear work lights on cab
- Creep function (or SMS: Speed management system)
- 14 x 17.5 tyres

## Options

- Back-up alarm
- Boom stop
- Cab air conditioning
- Rotating beacon
- Work lights on boom
- Roof windscreen wiper
- Front windscreen grill
- Transmission lock override
- Float function
- Hydraulic locking of attachments on Quick-Tach Bob-Tach™
- Two-way hydraulic supply at the end of the boom (2 front hydraulic couplers)
- ACD
- Rear pin-type hitch
- Hydraulic trailer hook
- Two-way rear hydraulics
- Set of blue lights
- Air intake pre-filter
- Pre-disposal speaker
- Air suspension seat

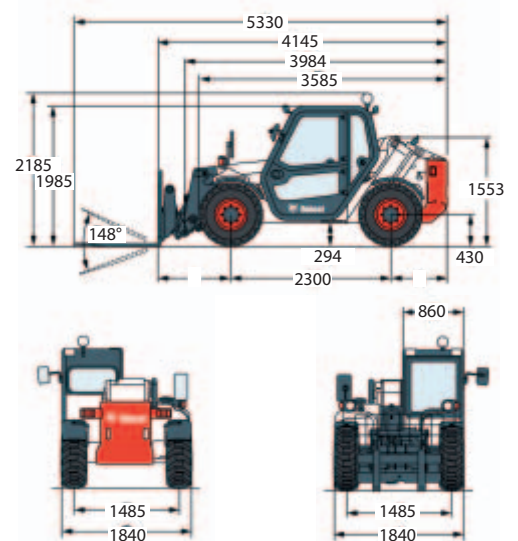
## Load Charts

With forks and 14 x 17.5 tyres, with Bob-Tach™



## Dimensions

All dimensions in mm.



www.bobcat.eu



# Bobcat®

Specifications and design are subject to change without notice - Pictures of Bobcat units may show other than standard equipment.