



Bobcat®

T35100SL

Telescopic Handlers



Performance

Lifting height — on tyres	10000 mm
Lifting height — on stabilisers	10230 mm
Rated capacity	3500 kg
Capacity (at max. height on stabilisers)	3000 kg
Capacity (at max. height on tyres)	2000 kg
Capacity (at max. reach on stabilisers)	1000 kg
Capacity (at max. reach on tyres)	600 kg
Max. reach on tyres	6400 mm
Max. reach on stabilisers	6500 mm
Crowding force	4600 daN

Weights

Weight (unladen)	7890 kg
------------------	---------

Traction

Standard tyres	400/70x20 150B
Low speed (forward/reverse)	0–7 km/h
High speed (forward/reverse)	0–30 km/h
Driving modes	Direct drive / soft drive

Drive System

Transmission	Hydrostatic with electronic regulation
Main drive	2-speed hydrostatic motor

Engine

Make / Model	PERKINS / 1104D-44TA Turbo
Fuel / Cooling	Diesel / Liquid
Rated power (DIN 6271) at 2200 RPM	74.5 kW (100 HP)
Maximum torque at 1400 RPM	410 Nm
Number of cylinders	4
Displacement	4.4 l

Hydraulic System

Pump type	Gear pump with LS valve
Combined pump capacity	135 l/min
Working pressure	265 bar

Cycle Times

Lift time - no load	10.0 s
Lower time - no load	5 s
Telescope in time at max. reach - no load	9.3 s
Telescope in time at max. height - no load	9.3 s
Telescope out time at max. reach - no load	11.0 s
Telescope out time at max. height - no load	11.2 s

Brakes

Engine braking	Hydrostatic
Parking and emergency brake	Negative brake with hydraulic command

Fluid Capacities

Axles and reduction gears front / rear	9 / 8.1 l
Engine oil	8.5 l
Fuel tank	140 l
Hydraulic reservoir	77 l

Standard Features

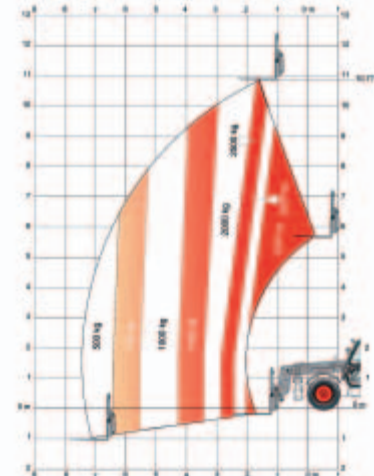
Aggravating Movements Arrester (AMA)
 Hydrostatic transmission
 ROPS/FOPS operator cab
 Heating, demisting and ventilation
 Front and rear washer/wipers
 Suspension seat
 Two-way hydraulic supply at the end of the boom
 Narrow hook-up for mounting of the equipment
 Mechanical lock of the equipment

Options

Back-up alarm
 Second hydraulic function on boom
 Cab air conditioning
 Rear hydraulic hook and mirror
 Rotating beacon
 Cooling fan reverser for cleaning purposes
 Rear hydraulic connection
 Trailer brake valve
 Work light on boom
 Set of blue lights for hen houses
 Hydraulic lock of equipment
 Yoke and electrical plug
 Windscreen grill
 Roof windscreen wiper
 Transmission lock override

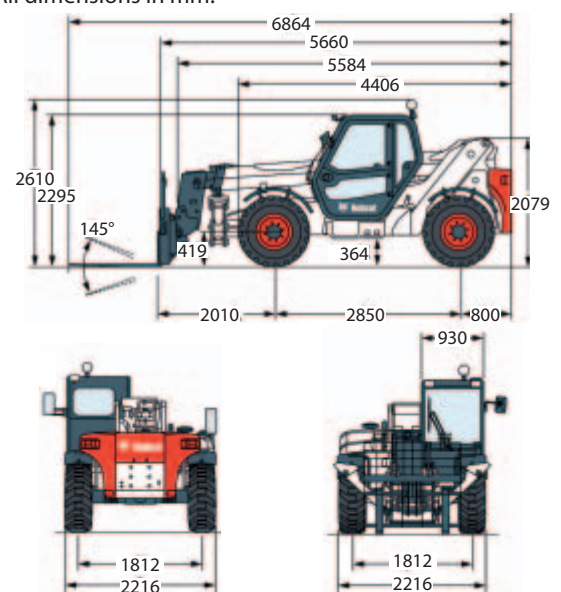
Load Charts

With forks and TITAN 400/70 x 20 150B 166A2 LIFT RIGGER II (standard) or DUNLOP 400/70 x 20 150B 168A2 (option) tyres — on tyres



Dimensions

All dimensions in mm.



www.bobcat.eu



Bobcat®

Specifications and design are subject to change without notice - Pictures of Bobcat units may show other than standard equipment.

