



**Bobcat**®

**T3571**

Telescopic Handlers



## Performance

Lifting height	7120 mm
Rated capacity	3500 kg
Capacity (at max. height)	3000 kg
Capacity (at max. reach)	1350 kg
Max. reach	4000 mm
Crowding force	6300 daN

## Weights

Weight (unladen)	6910 kg
------------------	---------

## Traction

Standard tyres	400/70x20 150B
Low speed (forward/reverse)	0-7 km/h
High speed (forward/reverse)	0-30 km/h
Driving modes	Direct drive / soft drive

## Drive System

Transmission	Hydrostatic with electronic regulation
Main drive	2-speed hydrostatic motor

## Engine

Make/Model	PERKINS / 1104D-44TA Turbo
Fuel / Cooling	Diesel / Water
Rated power (DIN 6271) at 2200 RPM	74.5 kW (100 HP)
Maximum torque at 1400 RPM	410 Nm
Number of cylinders	4
Displacement	4.4 l

## Hydraulic System

Pump type	Gear pump with LS valve
Combined pump capacity	135 l/min
Working pressure	265 bar

## Cycle Times

Lift time - no load	7.5 s
Lower time - no load	4.6 s
Telescope in time at max. reach - no load	5.6 s
Telescope in time at max. height - no load	5.6 s
Telescope out time at max. reach - no load	6.9 s
Telescope out time at max. height - no load	6.9 s

## Brakes

Engine braking	Hydrostatic
Parking and emergency brake	Negative brake with hydraulic command

## Fluid Capacities

Axles and reduction gears front/rear	9 / 8.1 l
Engine oil	8.5 l
Fuel tank	140 l
Hydraulic reservoir	77 l

## Standard Features

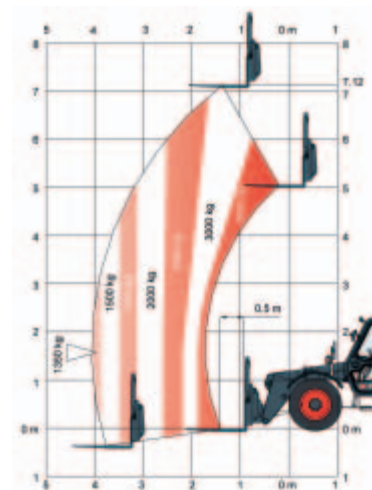
- Aggravating Movements Arrester (AMA)
- Hydrostatic transmission
- ROPS/FOPS operator cab
- Heating, demisting and ventilation
- Front and rear washer/wipers
- Suspension seat
- Two-way hydraulic supply at the end of the boom
- Narrow hook-up for mounting of the equipment
- Mechanical lock of the equipment

## Options

- Back-up alarm
- Second hydraulic function on boom
- Cab air conditioning
- Rear hydraulic hook and mirror
- Rotating beacon
- Cooling fan reverser for cleaning purposes
- Rear hydraulic connection
- Trailer brake valve
- Work light on boom
- Set of blue lights for hen houses
- Hydraulic lock of equipment
- Yoke and electrical plug
- Windscreen grill
- Roof windscreen wiper
- Transmission lock override

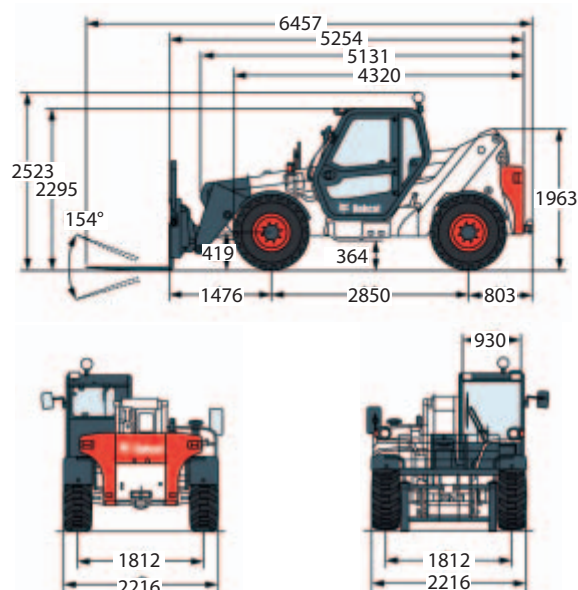
## Load Charts

With forks and TITAN 400/70 x 20 tyres, DUNLOP 400/70x20 140B tyres, DUNLOP 400/70x20 150B tyres & BF GOODRICH 400/70x20 tyres



## Dimensions

All dimensions in mm.



www.bobcat.eu



# Bobcat®

Specifications and design are subject to change without notice - Pictures of Bobcat units may show other than standard equipment.

