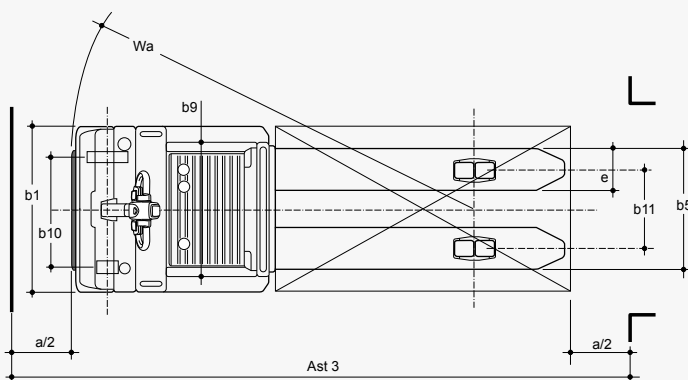
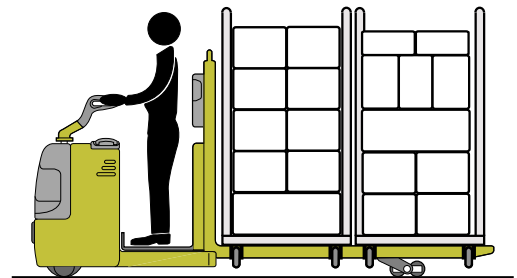
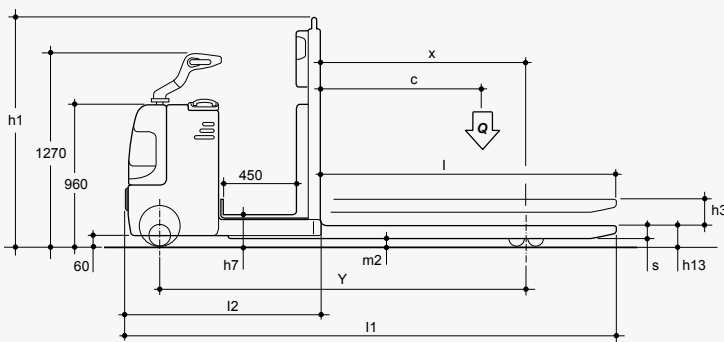


C OP 20

CLARK
THE FORKLIFT



l		c	x	Y	l1	Wa	Ast3	(Q) t
1.150	mm	600	980	2.010	2.390	2.640	2.640	2.0
1.500	mm	750	850	1.880	2.740	2.940	2.940	2.0
2.250	mm	1.125	1.600	2.630	3.490	3.690	3.690	2.0
2.400	mm	1.200	1.750	2.780	3.640	3.840	3.840	2.0



HORIZONTAL ORDER PICKING TRUCK

Characteristics	1.1	Manufacturer			CMHEU	
	1.2	Manufacturer's model designation			C OP 20	
	1.3	Drive : E (electric)			E	
	1.4	Type of control : T (tiller) S (steering wheel) P (standing)			T / P	
	1.5	Load capacity		Q (t)	2.0	
	1.6	Load centre distance		c (mm)	600	
	1.8	Load distance, centre of drive axle to fork		X (mm)	980	
	1.9	Wheelbase		Y (mm)	2.010	
	Weight	2.1	Service weight (battery included)		Kg	914
2.2		Axle loading mast (with load)	front / rear	Kg	1.160 / 1.780	
2.3		Axle loading mast (without load)	front / rear	Kg	230 / 684	
Wheels - Chassis	3.1	Tyres : vlk (vulkollan) plt (polyurethane)			vlk	
	3.2	Front wheels size		mm	245 / 150	
	3.3	Rear wheels size		mm	85	
	3.5	Wheels : number front / rear (x = traction)			1x + 2 / 4	
	3.7	Rear track width		b 10 (mm)	520	
	Dimensions	4.2	Lowered mast height		h1 (mm)	1.420
		4.4	Lifting height		h3 (mm)	120
4.5		Extended mast height		h4 (mm)	1.640	
4.7		Overhead guard height		h6 (mm)		
4.8		Seat height / standing height		h7 (mm)	155	
4.11		Additional lift		h9 (mm)		
4.14		Standing height, elevated		h12 (mm)	155	
4.19		Overall length (without load)		l1 (mm)	2.510	
4.20		Length to forks face		l2 (mm)	1.360	
4.21		Overall width		b1 / b2 (mm)	800	
4.22		Forks dimensions		s / e / l	60 / 180 / 1.150	
4.24		Fork carriage width		b3 (mm)	550	
4.25		Width over forks		b5 (mm)	540	
4.27		Width over side rollers		b6 (mm)		
4.31		Ground clearance, under mast	laden	m1 (mm)	55	
4.32		Ground clearance	laden	m2 (mm)	20	
4.34		Aisle width with pallets 1000 x 1200 forking side 1200		Ast (mm)		
		Aisle width with pallets 1000 x 1200 forking side 800		Ast (mm)	2.760	
4.35		Turning radius		Wa (mm)	2.240	
4.39		Total lifting height		h3+h9 (mm)		
4.40		Picking height		h12+1600 (mm)	1.755	
4.42		Pallet width		b12 (mm)	800	
4.43		Pallet length		l6 (mm)	1.200	
4.44		Operator's working place width		(mm)	560	
4.45		Operator's cab height		(mm)		
4.46		Operator's cab width		b9 (mm)	650	
		Platform's Length / height / width		(mm)	560 / 650	
Performances	5.1	Travel speed	laden / unladen	Km / h	12 / 13	
	5.2	Lifting speed	laden / unladen	m / s	0.04 / 0.05	
	5.3	Lowering speed	laden / unladen	m / s	0.26 / 0.18	
	5.10	Service brake M (mechanical) I (hydraulic) IV (inversion braking)			IV	
	5.11	Parking brake EM (electromagnetic)			EM	
	El. Motor	6.1	Traction motor, rating S2 60 min		KW	2.6
6.2		Lifting motor, rating S3 15%		KW	2	
6.3		Battery according DIN 43531 / 35 / 36 A, B, C, no				
6.4		Battery voltage, nominal capacity K5		V / Ah	24 / 300	
6.5		Battery weight (± 5 %)		Kg	200	
Others	8.1	Type of travel control			MOS DC	
	8.4	Sound level at driver's ear		dB (A)	< 70	
	8.6	Steering : E (electric)			E	
<i>Technical specification according VDI 2198</i>						
<i>Information and data are given for information only, CMHEU will have the sole right for technical changes and improvements without giving any notice.</i>						



CLARK MATERIAL HANDLING EUROPE (CMHEU)

Neckarstraße, 37
D-45478 MÜLHEIM an der RUHR
Tel: +49 (0) 208 377336-0 Fax: +49 (0) 208 377336-36
www.clarkmheu.com
info-europe@clarkmheu.com

Distributed by :