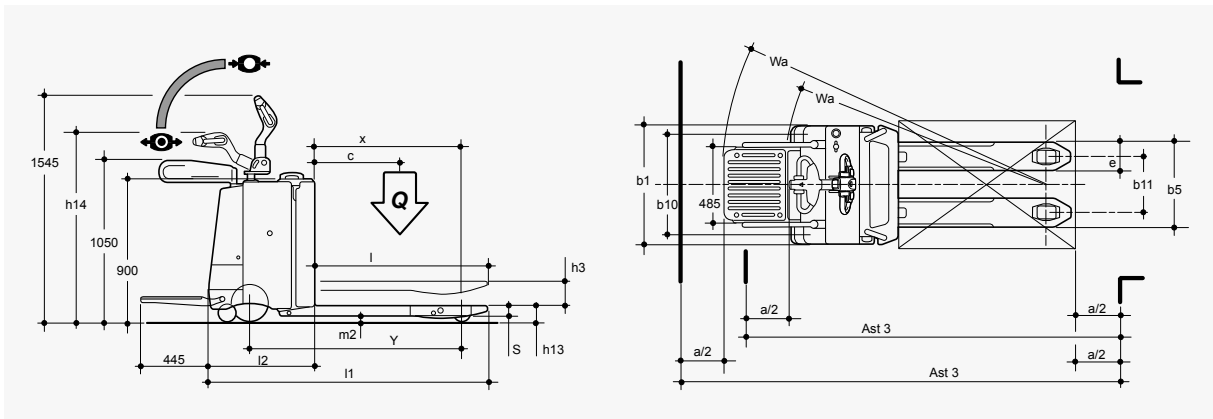
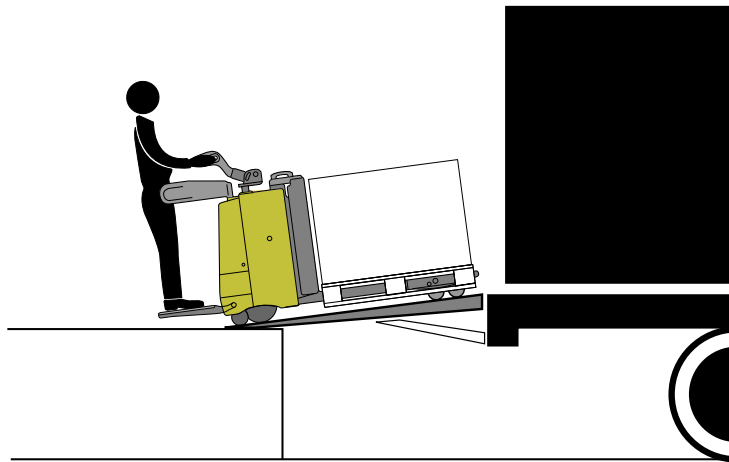
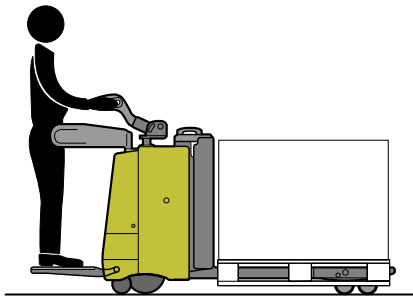


C PTP 20

CLARK
THE FORKLIFT



LOW LIFT PALLET TRUCK WITH RIDE-ON OPERATOR

Characteristics	1.1		Manufacturer		CMHEU	
	1.2		Manufacturer's model designation		C PTP 20	
					1.150x540	980x670
	1.3		Drive : E (electric)		E	
	1.4		Type of control : T (tiller) S (steering wheel) A (pedestrian) P (standing) R (seated)		T / P - T / A	
	1.5		Load capacity		2.0	
	1.6		Load centre distance		c (mm)	600 500
	1.8		Load distance, centre of drive axle to fork		X (mm)	980 810
	1.9		Wheelbase		Y (mm)	1.388 1.228
Weights	2.1		Service weight (battery included)		Kg	714 780
	2.2		Axle loading (with load)		front / rear	Kg 1.724 / 998
	2.3		Axle loading (without load)		front / rear	Kg 602 / 118
Wheels, Chassis	3.1		Tyres : plt (polyurethane) vlk (vulkollan)		plt	
	3.2		Front wheels size		mm 245 - 150	
	3.3		Rear wheels size		mm 85	
	3.4		Stabilizers wheels dimensions		mm 150	
	3.5		Wheels : number front / rear (x = traction)		1x + 2 / 4	
	3.6		Front track width		b 10 535	
	3.7		Rear track width		b 11	360 490
Dimensions	4.4		Lifting height		h3 (mm) 120	
	4.9		Height of tiller arm in drive position (min / max)		h14 (mm) 1.260 / 1.383	
	4.15		Forks lowered height		h13 (mm) 85	
	4.19		Total length		l1 (mm) 1.830 / 2.275 1.660 / 2.105	
	4.20		Length to forks face		l2 (mm) 680 / 1.125	
	4.21		Overall width		b1/b2 (mm) 772	
	4.22		Forks dimensions		s / e / l 60 / 180 / 1.150 60 / 180 / 980	
	4.25		Width over forks		b5 (mm) 540 670	
	4.32		Ground clearance		laden	m2 (mm) 30
	4.33		Aisle width for pallets 1000 x 1200 forking side 1200		Ast3 (mm) 2.030 / 2.475	
	4.34		Aisle width for pallets 800 x 1200 forking side 800		Ast3 (mm) 2.080 / 2.525	
4.35		Turning radius		Wa (mm) 1.695 / 2.110 1.530 / 1.940		
Performances	5.1		Travel speed		laden / unladen	Km / h 7.8 / 8.5
	5.2		Lifting speed		laden / unladen	m / s 0.04 / 0.05
	5.3		Lowering speed		laden / unladen	m / s 0.26 / 0.06
	5.7		Gradient performance (S2 30 min)		%	
	5.8		Max gradient performance (S2 5 min)		%	
	5.10		Service brake M (mechanical) I (hydraulic) IV (inversion braking)		IV	
El. Motor	6.1		Traction motor, rating S2 60 min		KW 2 (2.6*)	
	6.2		Lift motor, rating S3 15%		KW 2	
	6.3		Battery according to DIN 43531 / 35 / 36 A, B, C, no		non	
	6.4		Battery voltage, nominal capacity K5		V / Ah 24 / 300	
	6.5		Battery weight (± 5 %)		Kg 200	
Others	8.1		Type of drive control		MOS DC	
	8.4		Sound level at driver's ear		dB (A) < 70	
Technical specification according to VDI 2198						
Information and data are given for information only, CMHEU will have the sole right for technical changes and improvements without giving any notice.						



CLARK MATERIAL HANDLING EUROPE (CMHEU)

Neckarstraße, 37
D-45478 MÜLHEIM an der RUHR
Tel: +49 (0) 208 377336-0 Fax: +49 (0) 208 377336-36
www.clarkmheu.com
info-europe@clarkmheu.com

Distributed by :