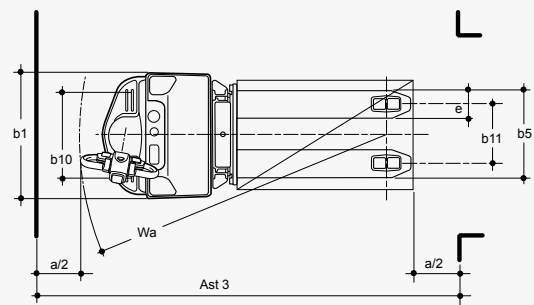
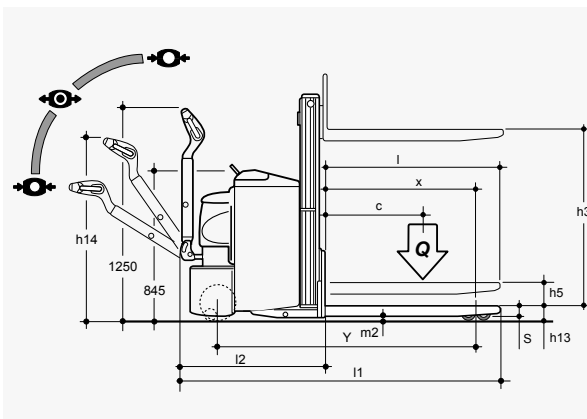
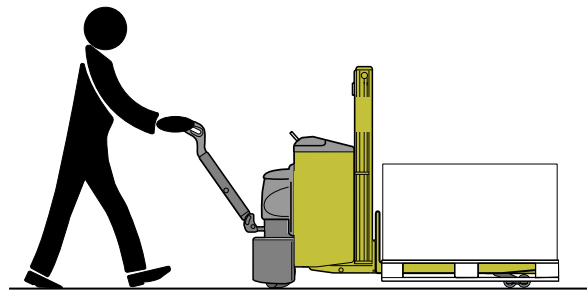
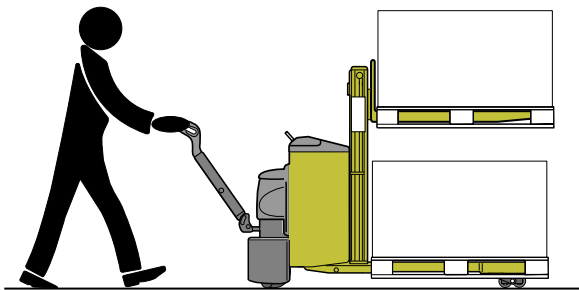


C PTi 16

CLARK
THE FORKLIFT



PEDESTRIAN POWER PALLET TRUCK with mast

Characteristics	1.1	Manufacturer		CMHEU
	1.2	Manufacturer's model designation		C PTi 16
	1.3	Drive : E (electric)		E
	1.4	Type of control : T (tiller) S (steering wheel) A (pedestrian) P (standing) R (seated)		T / A
	1.5	Load capacity	Q (t)	1.6 - 1.0
	1.6	Load centre distance	c (mm)	600
	1.8	Load distance, centre of drive axle to fork	X (mm)	980
	1.9	Wheelbase	Y (mm)	1.560
	Weights	2.1	Service weight (battery included)	Kg
2.2		Axle loading (with load)	front / rear	Kg 994 / 786
2.3		Axle loading (without load)	front / rear	Kg 220 / 556
Wheels - Chassis	3.1	Tyres : plt (polyurethane) vlk (vulkollan)		plt / vlk
	3.2	Front wheels size	mm	245
	3.3	Rear wheels size	mm	85
	3.4	Stabilizers wheels dimensions	mm	100
	3.5	Wheels : number front / rear (x = traction)		1x + 2 / 2 - 4
	3.6	Front track width	b 10	465
	3.7	Rear track width	b 11	380
Dimensions	4.2	Lowered mast height	h1 (mm)	1.190
	4.3	Free lift	h5 (mm)	120
	4.4	Lifting height	h3 (mm)	1.400
	4.5	Extended mast height	h4 (mm)	1.860
	4.6	Free lift		
	4.9	Height of tiller arm in drive position (min / max)	h14 (mm)	840 / 1.280
	4.15	Forks lowered height	h13 (mm)	90
	4.19	Total length	l1 (mm)	1.950
	4.20	Length to forks face	l2 (mm)	800
	4.21	Overall width	b1 / b2 (mm)	706
	4.22	Forks dimensions	s / e / l	75 / 180 / 1.150
	4.24	Fork carriage width	b3 (mm)	650
	4.25	Width over forks	b5 (mm)	560
	4.32	Ground clearance	laden	m2 (mm) 15
	4.33	Aisle width for pallets 1000 x 1200 forking side 1200		Ast3 (mm)
4.34	Aisle width for pallets 800 x 1200 forking side 800		Ast3 (mm) 2.190	
4.35	Turning radius		Wa (mm) 1.770	
Performances	5.1	Travel speed	laden / unladen	Km / h 5.8 / 6
	5.2	Lifting speed	laden / unladen	m / s 0.15 / 0.22
	5.3	Lowering speed	laden / unladen	m / s 0.30 / 0.25
	5.7	Gradient performance (S2 30 min)		%
	5.8	Max gradient performance (S2 5 min)		% 5 / 10
	5.10	Service brake M (mechanical) I (hydraulic) IV (inversion braking)		IV
El.Motor	6.1	Traction motor, rating S2 60 min	KW	1.2
	6.2	Lifting motor, rating S3 15%	KW	2
	6.3	Battery according DIN 43531 / 35 / 36 A, B, C, no		no
	6.4	Battery voltage, nominal capacity K5	V / Ah	24 / 150
	6.5	Battery weight (± 5 %)	Kg	150
Others	8.1	Type of travel control		MOS DC
	8.4	Sound level at driver's ear	dB (A)	< 70
<i>Technical specification according to VDI 2198</i>				
<i>Information and data are given for information only. CMHEU will have the sole right for technical changes and improvements without giving any notice.</i>				



CLARK MATERIAL HANDLING EUROPE (CMHEU)

Neckarstraße, 37
D-45478 MÜLHEIM an der RUHR
Tel: +49 (0) 208 377336-0 Fax: +49 (0) 208 377336-36
www.clarkmheu.com
info-europe@clarkmheu.com

Distributed by :