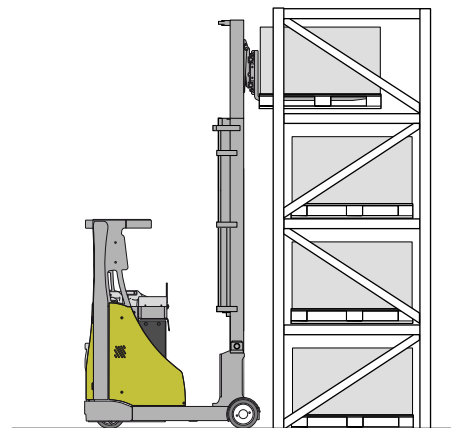
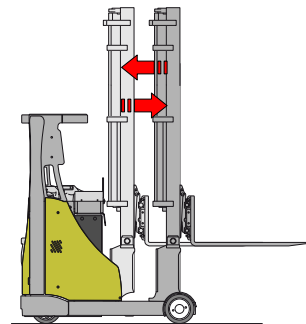
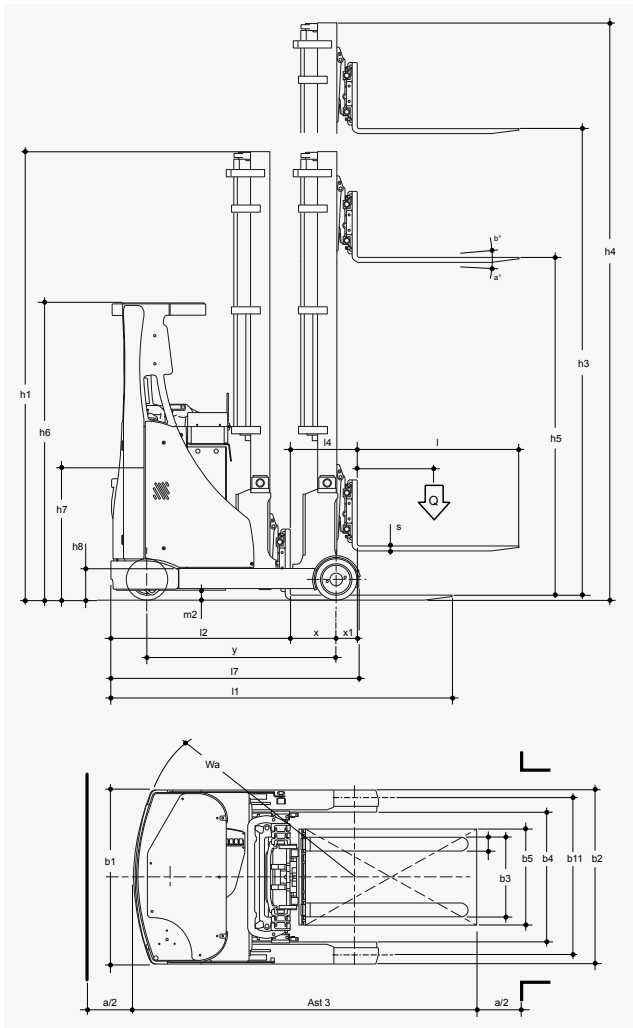


C RT 14 ac



h3		h1	h4	h5	(Q) t
4.200	mm	2.045	4.820	1.470	1.4
4.500	mm	2.145	5.120	1.575	1.4
5.200	mm	2.390	5.820	1.810	1.4
6.000	mm	2.655	6.620	2.130	1.4
6.700	mm	2.925	7.320	2.360	1.4
7.500	mm	3.185	8.120	2.630	1.25
8.250	mm	3.480	8.870	2.930	1.0

REACH TRUCK

Characteristics	1.1	Manufacturer			CMHEU	
	1.2	Manufacturer's model designation			C RT 14 ac	
		T = integrated side-shift			T	
	1.3	Drive : E (electric)			E	
	1.4	Type of control : S (steering wheel) R (seated)			S / R	
	1.5	Load capacity		Q (t)	1.4	
	1.6	Load centre distance		c (mm)	600	
	1.8	Load distance, centre of drive axle to fork		X (mm)	325	
	1.9	Mast advanced		X1 (mm)	190	
Weights	2.1	Service weight (battery included)		Kg	3.350	
	2.3	Axle loading mast retracted (without load)	front / rear	Kg	2.150 / 1.200	
	2.4	Axle loading mast advanced (with load)	front / rear	Kg	724 / 4.028	
	2.5	Axle loading mast retracted (with load)	front / rear	Kg	1.846 / 2.908	
	Wheels-Chassis	3.1	Tyres : vlk (vulkollan) se (superelastic)			vlk
3.2		Front wheels size		mm	343	
3.3		Rear wheels size		mm	300	
3.5		Wheels : number front / rear (x = traction)			1x / 2	
3.7		Rear track width		b 11 (mm)	1.177	
Dimensions		4.1	Mast / fork carriage tilted forward / backward		a / b	3 / 5
	4.2	Lowered mast height		h1 (mm)	2.655	
	4.3	Free lift		h5 (mm)	2.130	
	4.4	Lifting height		h3 (mm)	6.000	
	4.5	Extended mast height		h4 (mm)	6.620	
	4.7	Overhead guard (cab) height		h6 (mm)	2.100	
	4.8	Seat height		h7 (mm)	1.050	
	4.10	Height of wheels arm		h8 (mm)	225	
	4.19	Total length		l1 (mm)	2.425	
	4.20	Length to forks face		l2 (mm)	1.275	
	4.21	Overall width		b1 / b2 (mm)	1.270	
	4.22	Forks dimensions		s / e / l	35 / 100 / 1.150	
	4.23	Fork carriage, class / type A, B			II A	
	4.24	Fork carriage width		b5 (mm)	845	
	4.25	Width over forks		b3 (mm)	720	
	4.26	Distance between support arms / loading surfaces		b4 (mm)	948	
	4.28	Reach distance		l4 (mm)	533	
	4.32	Ground clearance	laden	m2 (mm)	75	
	4.33	Aisle width with pallets 1000 x 1200 forking side 1200		Ast3 (mm)	2.685	
	4.34	Aisle width with pallets 800 x 1200 forking side 800		Ast3 (mm)	2.725	
4.35	Turning radius		Wa (mm)	1.610		
4.37	Length across wheel arms		l7 (mm)	1.770		
Performances	5.1	Travel speed	laden / unladen	Km / h	13 / 13	
	5.2	Lifting speed	laden / unladen	m / s	0.35 / 0.50	
	5.3	Lowering speed	laden / unladen	m / s	0.50 / 0.45	
	5.4	Reach speed	laden / unladen	m / s		
	5.7	Gradient performance		%		
	5.8	Max gradient performance		%	10 / 15	
	5.9	Acceleration time (10 m)		s	6 / 5.6	
	5.10	Service brake M (mechanical) I (hydraulic) IV (inversion braking) E (electromagnetic)			E	
	El. motor	6.1	Traction motor, rating S2 60 min		KW	6.5
		6.2	Lifting motor, rating S3 15%		KW	15
6.3		Battery according DIN 43531 / 35 / 36 A, B, C, no			no	
6.4		Battery voltage, nominal capacity K5		V / Ah	48 / 465	
6.5		Battery weight (± 5 %)		Kg	700	
		Battery dimensions l / w / h		L/W/H mm	1.220 / 275 / 770	
Others	8.1	Type of travel control			INVERTER	
	8.2	Operating pressure for attachments		bar	180	
	8.3	Oil volume for attachments (max available)		l / min	30	
	8.4	Sound level at driver's ear		dB (A)	< 80	
<i>Technical specification according VDI 2198</i>						
<i>Information and data are given for information only, CMHEU will have the sole right for technical changes and improvements without giving any notice.</i>						



CLARK MATERIAL HANDLING EUROPE (CMHEU)

Neckarstraße, 37
D-45478 MÜLHEIM an der RUHR
Tel: +49 (0) 208 377336-0 Fax: +49 (0) 208 377336-36
www.clarkmheu.com
info-europe@clarkmheu.com

Distributed by :