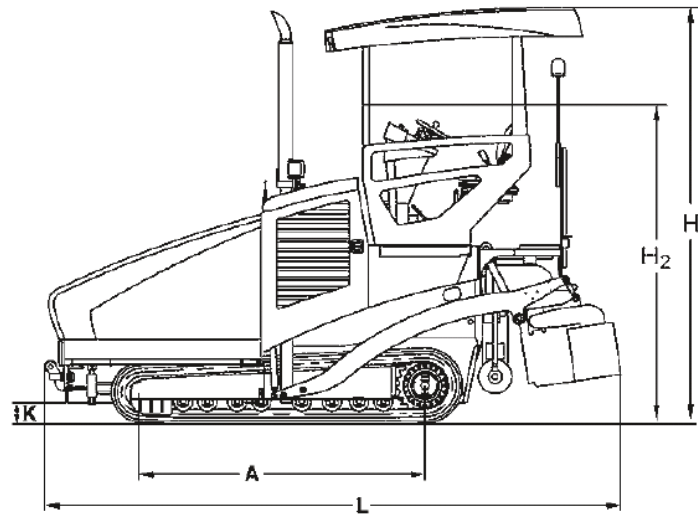
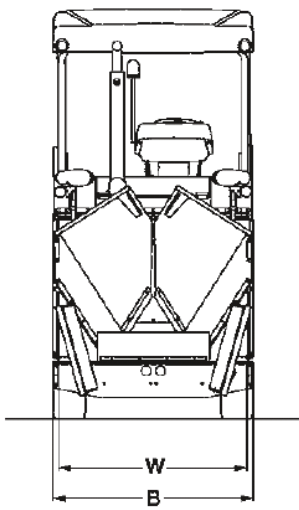


BOMAG BF 800 C

FAYAT GROUP



Dimensions in mm

A	B	H	H2	L	W
3360	2550	3865	3055	6800	2500

	BF 800 C S500	BF 800 C S600
Weights		
Operating weight CECE	20.700 Kg	21.000 Kg
Dimensions		
Transport length	6.800 mm	6.800 mm
Transport width	2.550 mm	3.000 mm
Transport height	3.055 mm	3.055 mm
Travel features		
Travel speed (max)	4,5 Km/h	4,5 Km/h
Working speed (max)	25 m/min	25 m/min
Engine		
Manufacturer	DEUTZ	DEUTZ
Type	TCD2012L06	TCD2012L06
Cooling	water	water
Nr of cylinders	6	6
Rated power ISO3046	139 KW	139 KW
Speed	2000 min-1	2000 min-1
Crawlers assembly		
Interaxe	3.360 mm	3.360 mm
Width	300 mm	300 mm

	BF 800 C S500	BF 800 C S600
Hopper		
Capacity	7,2 m ³	7,2 m ³
Width (wings open)	3.320 mm	3.320 mm
Width (wings closed)	2.250 mm	2.250 mm
Length	2.010 mm	2.010 mm
Discharge height (middle)	500 mm	500 mm
Conveyor belts		
Number	2	2
Width	400 mm	400 mm
Speed	38 m/min	38 m/min
Individual control	standard	standard
Reversibility	standard	standard
Augers		
Number	2	2
Diameter	400 mm	400 mm
Speed	95 rpm	95 rpm
Reversibility	standard	standard
Screed		
Type	S500	S600
Basic width (retracted)	2.550 mm	3.000 mm
Basic width (extended)	5.000 mm	6.000 mm
Max working width	9.000 mm	10.000 mm
Min width with reduc. kit	1.800 mm	2.300 mm
Max thickness	300 mm	300 mm
Vibrating plate (length)	400 mm	400 mm
Vibrating plate (thickness)	15 mm	15 mm
Heating	electric	electric
Transversal crown	-2.5 / +4.5%	-2.5 / +4.5%
Tamper frequency	29 Hz	29 Hz
Vibration frequency	20 – 58	20 – 58
Screed weight	3.900 Kg	4.200 Kg
Fuel		
Fuel tank	315 Lt	315 Lt
Hydraulic oil		
	160 Lt	160 Lt