

PERFORMANCE DATA

PAVER (TIER 3)

BF 600 C-3



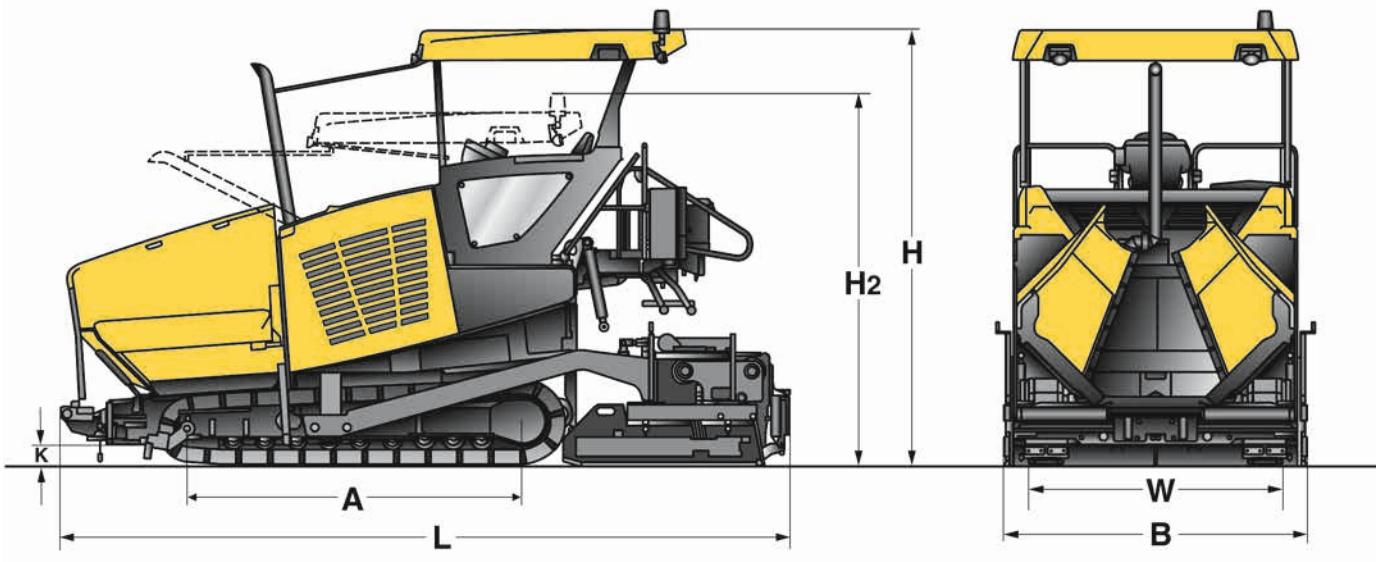
Greatest durability



Shorter set-up times



Exemplary efficiency



Dimensions in mm

	A	B	H	H ₂	L	W
BF 600 C-3 S 500	2975	2550	3865	3190	6540	2255
BF 600 C-3 S 600	2975	3000	3865	3190	6540	2255



Save up to 17 % fuel – demand-driven hydraulics – with BOMAG ECOMODE.



Full control from the side. The integrated levelling controller and automatic inclination ensure perfect quality.



The new control centre. The intuitive operator interface not only provides all the necessary information, but also supports the operator with assistance functions.



The right position in any situation – the comfortable driver's cab with swivel seat concept.

Technical Data

BOMAG BF 600 C-3

Weight CECE

With S 500 screed / with S 600 screed kg 21000 / 21500

Dimensions

Transport length mm 6360
Transport width mm 2550 / 3000
Transport height mm 3061

Travel characteristics

Travel speed km/h 0-4
Working speed m/min⁻¹ 0-25 variable

Drive

Engine manufacturer DEUTZ
Type TCD 2012 L06
Emission stage Stage III a / TIER 3
Cooling liquid
Number of cylinders /Displacement..... 6
Rated power kW 116
Auger diameter min⁻¹ 2000

Crawler assembly

Total length mm 2975
Width mm 300

Hopper

Capacity m³ 7,0
Width (wings open)..... mm 3360
Width (wings closed) mm 2490
Length mm 1900
Filling height (middle) mm 563

Conveyor

Number 2
Rotary speed U/min 64
Individual control Serie
Reversing operation yes

Auger

Number mm 2
Auger diameter mm 350
Rotary speed U/min 100
Reversing operation Serie

Screed

Basic width retracted mm S 500 / S 600
Basic width extended mm 2500 / 3000
Min. width with reduction skids mm 5000 / 6000
Mat thickness mm 1650 / 2100
Screed plate depth mm 300
Screed plate thickness mm 400
Heating mm 15
Crown % Electric
Tmaper frequency Hz -2,5 ... +4,5
Vibration frequency Hz 0-29
Basic weight kg 20-58
Max. working width mm 4400 / 4900

Filling capacities

Fuel l 285
Hydraulic oil l 160

Standard Equipment

Operator compartment

- SIDEVIEW
- Driver's seat: with swivel and side-shift
- Dashboard protection
- Hydraulic hinged roof
- A-PAVE operating concept
- Intuitive operation through display
- Electronic machine management

Tractor

- ECOMODE
- Separate control of hopper wings
- Reinigungskit
- Hydr. Höhenverstellung Schnecke
- Kettenabstreifer
- Hydraulic, height adjustable auger
- Track scraper
- 2 proportionally controlled and reversible wear-resistant cast augers; screw blades separately replaceable
- 2 independent and reversible scraper belts; high-wear resistant plates
- Rubber track pads

Screed

- L.C.S. Screed relief and traction increase system
- Screed temperature control
- MAGMALIFE Aluminium heating plates
- MAGMALIFE Automatic screed heating
- Mechanical screed lock
- Crown adjustment
- Side control of auger/scraper belts
- Electronic side-mounted driver's stand with display
 - Crown profile and automatic inclination
 - Integrated levelling controller
 - Material calculator

Other

- Tools
- 8 work lights
- Three phase generator
- Socket 230 volt

Optional Equipment

Operator compartment

- Hydraulic/electric movable SIDEVIEW platform
- Side windscreened platform
- Seat warmer
- Asphalt steam extraction
- Advanced operating concept

Tractor

- Central lubrication system
- Optional paint finish
- Biologically degradable hydraulic oil
- Hydraulic hopper front flap
- Hydraulic suspended and dampened push rollers

Screed

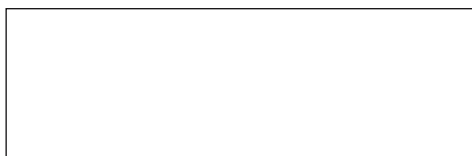
- Hydraulic crown adjustment
- Hinged side plates
- Heated side plates
- S 500 + S 600 extensions:
 - 250 mm
 - 500 mm
 - 750 mm
 - 1250 mm
- Reduction shoes
- Edge shaper 45°/60°

Levelling systems

- Height and cross-slope sensing by means of ultrasonic or mechanical sensors

Other

- Fleet management BOMAG TELEMATIC
- Moon-light balloon
- Joblink data interface



PRE 892 45 010

190121 SA01

BOMAG
Hellerwald
D-56154 Boppard
Postfach 5162
D-56149 Boppard
Tel. (0)6742 - 1000
Fax (0)6742 - 3090

